

PARTS CATALOG

Envelope Cassette-C1

Canon

Nov 13 2003

PREFACE

This Parts Catalog contains listings of parts used

Diagrams are provided with the listings to aid the service technician in identifying clearly, the item to be ordered.

Whenever ordering parts, consult this Parts Catalog for all of the information pertaining to each item. Be sure to include, in the Parts Request, the full item description, the item part number, and the quantity.

COPYRIGHT (C) 1999 CANON INC.

Use of this manual should be strictly supervised to avoid disclosure of confidential information.

Contents

Parts List Index

Envelope Cassette-C1 1-1

Envelope Cassette-C1

L10 ENVELOPE FEEDER ATTACHMENT 2-1

NUMERICAL INDEX

Envelope Cassette-C1

PARTS NUMBER	FIGURE & KEY NO.	PARTS NUMBER	FIGURE & KEY NO.	PARTS NUMBER	FIGURE & KEY NO.
FB3-2903-000	L10 - 26				
FB3-2908-000	L10 - 8				
FB3-2916-000	L10 - 33				
FB3-2966-000	L10 - 11				
FB6-3478-000	L10 - 1				
FB6-3479-000	L10 - 2				
FB6-3480-000	L10 - 3				
FB6-3481-000	L10 - 4				
FB6-3482-000	L10 - 5				
FB6-3483-000	L10 - 6				
FB6-3484-000	L10 - 7				
FB6-3490-000	L10 - 9				
FB6-3499-000	L10 - 30				
FB6-3506-000	L10 - 10				
FC5-0313-000	L10 - 12				
FC5-0314-000	L10 - 13				
FC5-0599-000	L10 - 14				
FC5-0622-000	L10 - 15				
FC5-0635-000	L10 - 16				
FC5-0636-000	L10 - 17				
FC5-1422-000	L10 - 18				
FC5-1423-000	L10 - 19				
FC5-1424-000	L10 - 20				
FC5-1425-000	L10 - 21				
FF6-2064-000	L10 - 22				
FL2-0063-000	L10 - 31				
FL2-0064-000	L10 - 32				
FS6-8116-000	L10 - 23				
FS7-2805-000	L10 - 24				
FU3-0293-000	L10 - 25				
FU5-2032-000	L10 - 27				
FU5-2097-000	L10 - 28				
FU5-2104-000	L10 - 29				
NPN	L10 -				
XA9-0929-000	L10 - 34				
XB2-8300-607	L10 - 501				
XB4-5300-807	L10 - 502				
XB6-7400-807	L10 - 504				
XD1-1104-135	L10 - 503				

Envelope Cassette-C1

120/220/240V	F32-3702-000JFK00001-
100V	F32-3712-000JFJ00001-

Contents

L10	ENVELOPE FEEDER ATTACHMENT.....	2-1
-----	---------------------------------	-----

FIGURE L10 ENVELOPE FEEDER ATTACHMENT

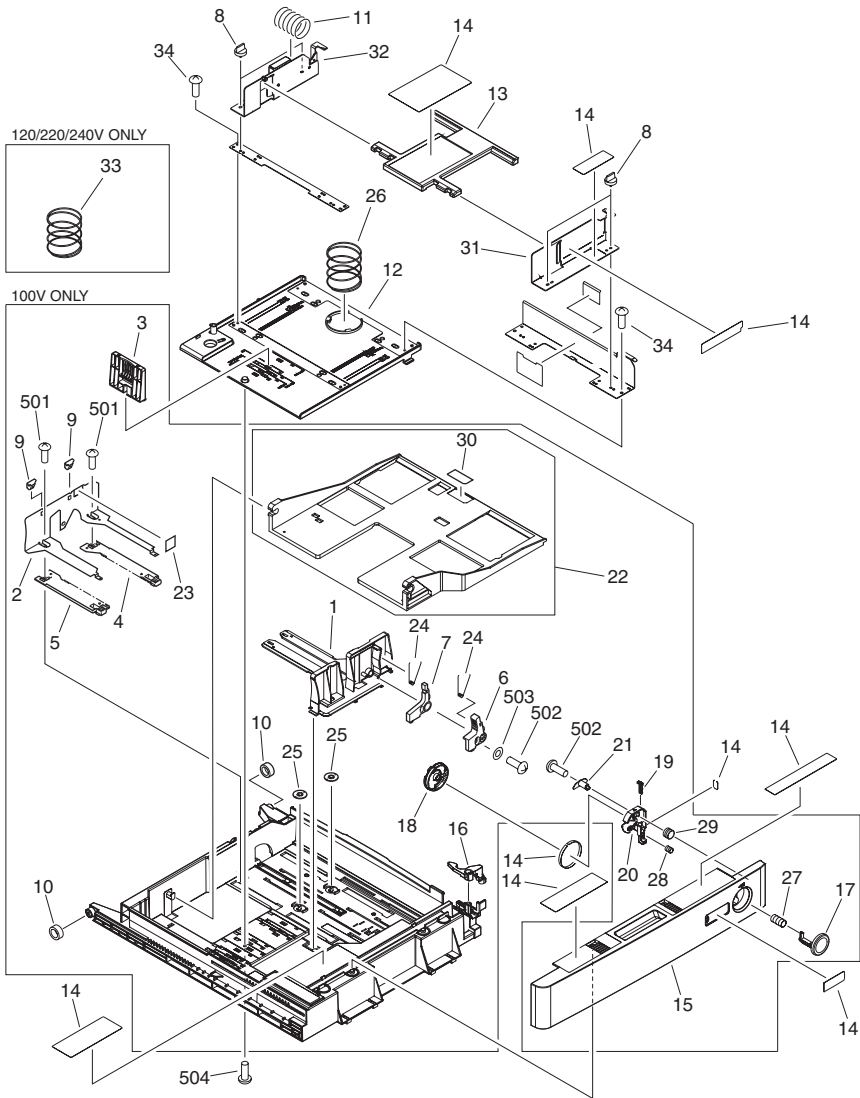


FIGURE & KEY NO.	PARTS NUMBER	R A N K	Q'TY	DESCRIPTION	SERIAL NUMBER/ REMARKS	S V C
Fig.L10	NPN		RF	ENVELOPE FEEDER ATTACHMENT		
1	FB6-3478-000		1	PLATE, SIDE GUIDE, FRONT	100V ONLY	
2	FB6-3479-000		1	PLATE, SIDE GUIDE, REAR	100V ONLY	
3	FB6-3480-000		1	PLATE, END GUIDE	100V ONLY	
4	FB6-3481-000		1	RACK, 1	100V ONLY	
5	FB6-3482-000		1	RACK, 2	100V ONLY	
6	FB6-3483-000		1	KNOB, SIDE GUIDE PLATE, 1	100V ONLY	
7	FB6-3484-000		1	KNOB, SIDE GUIDE PLATE, 2	100V ONLY	
8	FB3-2908-000		4	SCREW, KNOB		
9	FB6-3490-000		2	CLAW, SIDE PLATE GUIDE	100V ONLY	
10	FB6-3506-000		2	COLLAR, CASSETTE SWING	100V ONLY	
11	FB3-2966-000		1	SPRING, COMPRESSION		
12	FC5-0313-000		1	CASE, ENVELOPE FEEDER		
13	FC5-0314-000		1	PLATE, PAPER LIFTING		
14	FC5-0599-000		1	LABEL, ENVELOPE FEEDER		
15	FC5-0622-000		1	PANEL, CASSETTE FRONT	100V ONLY	
16	FC5-0635-000		1	ARM, LOCK	100V ONLY	
17	FC5-0636-000		1	BUTTON, PUSH	100V ONLY	
18	FC5-1422-000		1	DIAL, SIZE DETECT	100V ONLY	
19	FC5-1423-000		1	SLIDER, CONVERT	100V ONLY	
20	FC5-1424-000		1	HOLDER, DIAL	100V ONLY	
21	FC5-1425-000		1	PIN, FLOAT GUIDE	100V ONLY	
22	FF6-2064-000		1	PLATE, PAPER LIFTING	100V ONLY	
23	FS6-8116-000		1	LABEL, 'PAPER HEIGHT'	100V ONLY	
24	FS7-2805-000		2	SPRING, TORSION	100V ONLY	
25	FU3-0293-000		2	GEAR, 16T	100V ONLY	
26	FB3-2903-000		1	SPRING, COMPRESSION, GREEN		
27	FU5-2032-000		1	SPRING, COMPRESSION	100V ONLY	
28	FU5-2097-000		1	SPRING, COMPRESSION	100V ONLY	
29	FU5-2104-000		1	SPRING, COMPRESSION	100V ONLY	
30	FB6-3499-000		1	SHEET, SEPARATION	100V ONLY	
31	FL2-0063-000		1	PLATE, PAPER SIDE END, FRONT		

FIGURE & KEY NO.	PARTS NUMBER	RANK	Q'TY	DESCRIPTION	SERIAL NUMBER/REMARKS	SVC
32	FL2-0064-000		1	PLATE, PAPER SIDE END, REAR	120/220/240V ONLY	
33	FB3-2916-000		1	SPRING, COMPRESSION		
34	XA9-0929-000		4	SCREW,TP,M4X7		
501	XB2-8300-607		AR	SCREW,W/WASHER,M3X6		
502	XB4-5300-807		AR	SCREW,P,M3X8		
503	XD1-1104-135		AR	SHIM		
504	XB6-7400-807		AR	SCREW,TP,M4X8		

Prepared by
OFFICE IMAGING PRODUCTS QUALITY ASSURANCE CENTER
CANON INC.

Canon